

Cranial Fixation System

HeadFix

HF02B



HEADFIX

▲ HeadFix is the Cranial Clamping System that enables the placement of the patient's head according to the physician needs during the surgical procedure. It is an extremely versatile, strong and practical equipment. Designed to support the most demanding surgical conditions in the daily procedures, it is manufactured with special aluminum and stainless steel alloy. It also receives a treatment that aggregates a protective layer throughout its surface.

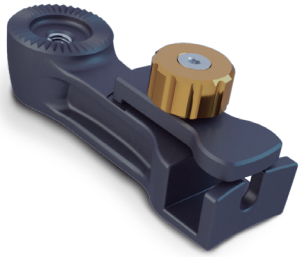
“GET TO KNOW **HEADFIX** AND SEE ITS UNQUESTIONABLE QUALITY!”



STEREOTACTIC SYSTEM ADAPTER*

Stereotactic surgeries can be made through this exclusive adapter, with full mobility of the HeadFix cranial fixation system.

**Optional items. Sold separately. Exclusive use along with Micromar products. Contact us to be informed on eventual adaptation for other equipment models.*

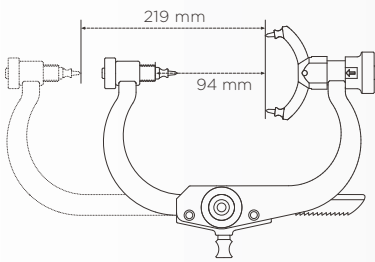


TECHNICAL DATA

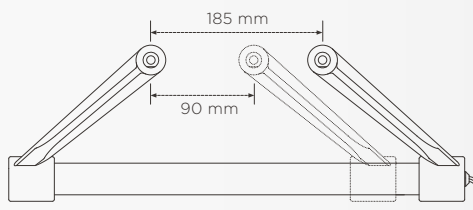
HeadFix HF02B

For more detailed information, contact your sales representative.

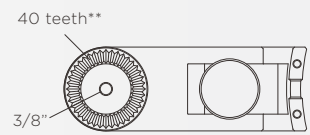
Skull Clamp



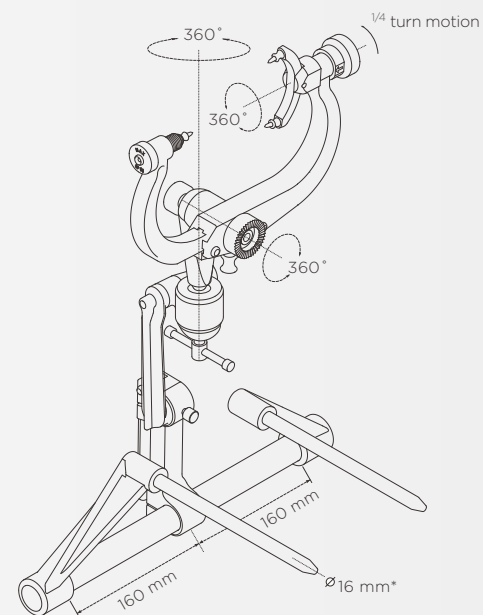
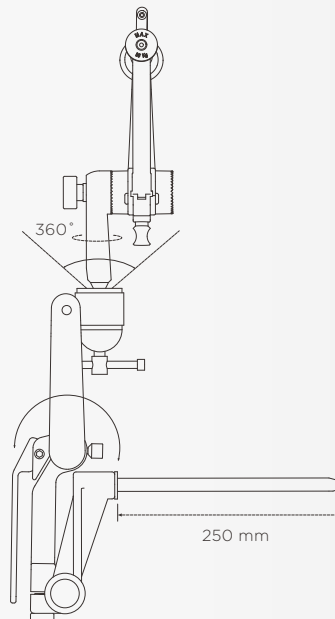
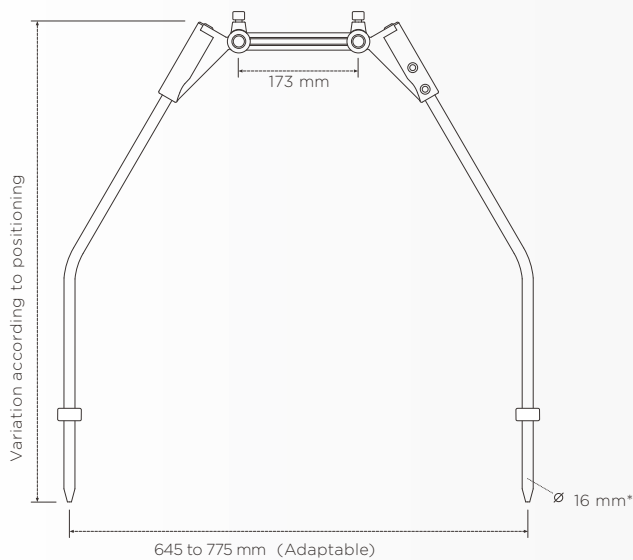
Base Unit



Stereotactic System Adapter*



Adapter for seated position procedures*



“PRODUCED WITH RESISTANT AND LIGHT MATERIALS.”



WELL CLMAPED



SKULL PINS

HeadFix provides reusable and disposable* pin sets, for adult and pediatric cranial fixation, developed of different materials like aluminum, stainless steel and titanium, to meet different surgical needs. The quick coupling system does not require any wrench or tool.

**Optional Item.*



QUICK LOCK LEVER

HeadFix also provides a practical safety lever, which locks the lower and upper articulations of the system, in a fast and practical way.



ADAPTER FOR SURGICAL TABLE

By simple adjustment, the equipment base can be adjusted according to your surgical table.



ADJUSTABLE

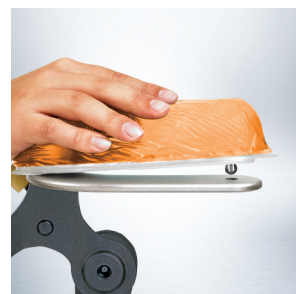
▲ The HF02B Base Unit facilitates the attachment of HeadFix skull clamps to the main OR tables available in the market, in a simple, fast and practical way. The convergence of functions in a single equipment makes this cranial fixation system an essential equipment for any surgical center.



“Exclusive accessories
comfort to the patient

PRACTICALITY

▲ The Horseshoe Headrest* with the Set of 2 Gel Pads
- Left and Right* is ideal for prone or supine position
surgeries. It can be better adjusted as desired, since it
has width and height adjustment, and also a splined
support that enables cervical traction.



*Optional item.

that aim especially at giving more and safety for the neurosurgeon.”

ADAPTER FOR SEATED POSITION PROCEDURES*

Excellent tool to perform surgeries requiring a sitting position of the patient. The unit is suitable for all standard operating tables.

ADJUSTABLE ADAPTOR*

This tool allows the HeadFix to be used along with Navigation Arms and Leyla adaptor support.

SET OF 2 GEL PADS - LEFT AND RIGHT*

Made with a resistant and soft gel, it comforts the patient’s face, avoiding skin necrosis during surgical procedure. The Set of Gel Pads has a simple coupling system on its base, which does not require the utilization of tools.

LEYLA ADAPTOR SUPPORT*

This adaptor allows the connection and use of Leyla retracting arms in conjunction with the equipment.





The best products for you.

Service warranties that meet your needs:

- ▲ Customized Training. Maximum utilization of your Micromar product;
- ▲ Technical Assistance. Product review and inspection at your disposal;
- ▲ Part replacement;

For more information on this and other Micromar products, access www.micromar.com

Micromar Dealer:



M I C R O M A R

INSPIRED BY LIFE

HF02B - VER.11 - 31/08/2021 - ENG. This information can be modified by Micromar at any time without previous notice.

The images of this catalogue are illustrative. Current version can be checked in the website. ANVISA Register: 80051250003

Micromar Ind. Com. Ltda.

Av. Marginal ao Córrego da Serraria, nº 168

CEP: 09980-390

Diadema · São Paulo · Brasil

Telefone: +55 (11) 4057-5722

international@micromar.com

SocialNetwork

www.micromar.com

facebook.com/micromar

instagram.com/micromarneurosurgery